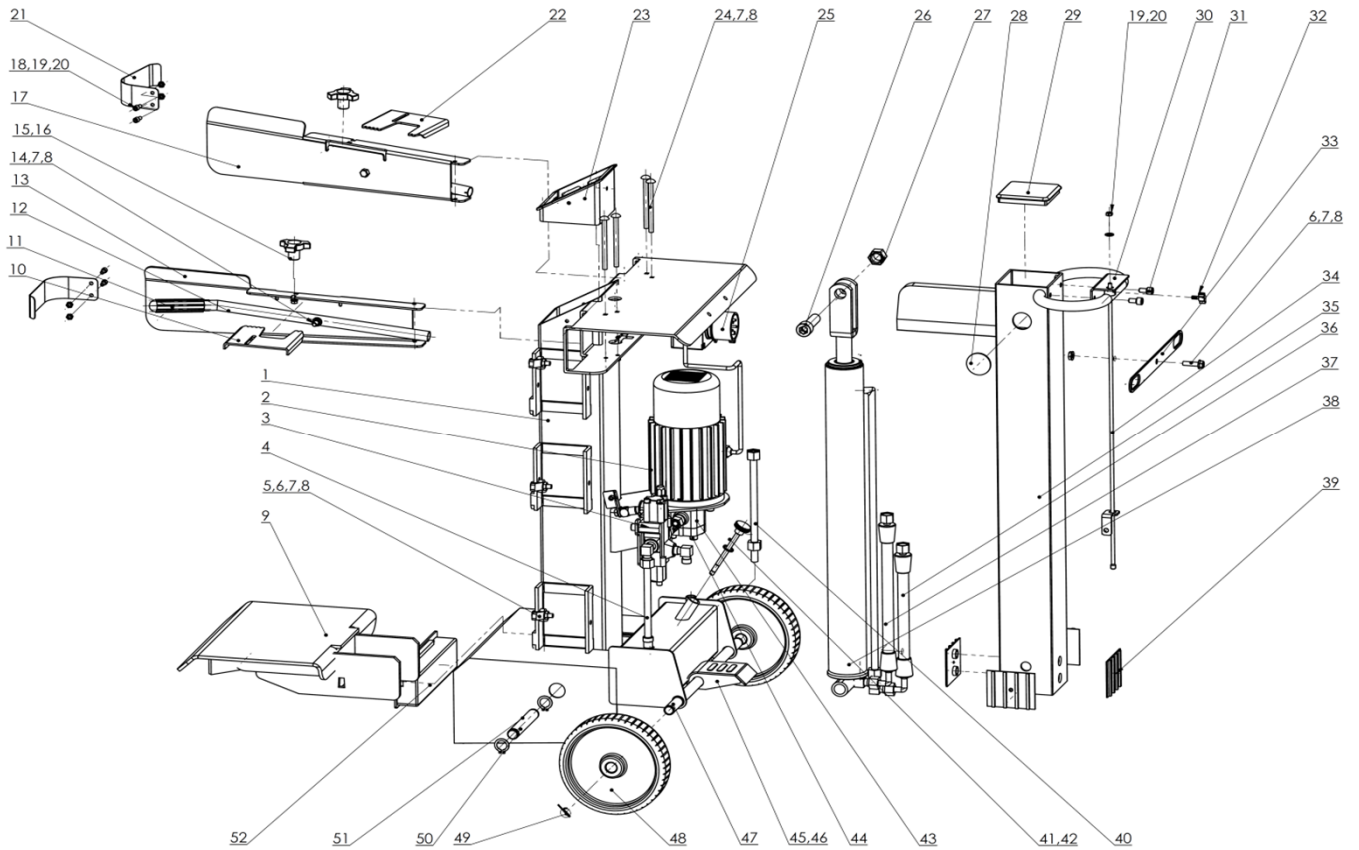


LS 8T



| No | Code   | Name                                | Qty | No | Code   | Name                     | Qty |
|----|--------|-------------------------------------|-----|----|--------|--------------------------|-----|
| 1  |        | Main body column                    | 1   | 25 | 031979 | Switch                   | 1   |
| 2  | 027360 | Motor                               | 1   | 26 |        | M18x65 bolg              | 1   |
| 3  | 023074 | Direction exchanging valve assembly | 1   | 27 |        | M18 anti-retracting nut  | 1   |
| 4  | 023111 | Oil drain pipe                      | 1   | 28 |        | Fixing bush              | 1   |
| 5  | 023117 | Small lock plate                    | 1   | 29 | 031980 | Dustproof cover          | 1   |
| 6  |        | M8X25 inner hex bolt                | 6   | 30 |        | Fixing plate             | 1   |
| 7  |        | M8 anti-retracting nut              | 9   | 31 |        | M8x15 inner hex screw    | 2   |
| 8  |        | Flat washer M8                      | 15  | 32 |        | M6 screw knob            | 1   |
| 9  | 027359 | Main working table assembly         | 1   | 33 |        | Operation lever          | 1   |
| 10 | 023087 | Right side clamp                    | 1   | 34 | 023095 | Ram stroke control lever | 1   |
| 11 | 023088 | Operation handle sleeve             | 2   | 35 |        | M8x15 inner hex screw    | 1   |
| 12 |        | Operation handle                    | 2   | 36 |        | Connecting pipe          | 1   |
| 13 |        | Right handle side guard             | 1   | 37 |        | Piston rod assembly      | 1   |
| 14 |        | M8x80 bolt                          | 2   | 38 | 023094 | Splitter column assembly | 1   |
| 15 |        | M8 screw knob                       | 2   | 39 | 040096 | Fixing side board        | 4   |
| 16 |        | M8x16 bolt                          | 2   | 40 |        | Connecting pipe          | 1   |
| 17 |        | Left handle side guard              | 1   | 41 | 023112 | Oil suction pipe         | 1   |
| 18 |        | M6x12 inner hex bolt                | 4   | 42 |        | Connecting pipe          | 1   |
| 19 |        | M6 nut                              | 4   | 43 | 027358 | Pump assembly            | 1   |
| 20 |        | M8 flat washer                      | 4   | 44 |        | M8x80 inner hex bolt     | 4   |
| 21 |        | Protective guard plate              | 2   | 45 | 023086 | Spring                   | 1   |
| 22 | 023089 | Left side clamp                     | 1   | 46 |        | Pedal                    | 1   |
| 23 | 031978 | Supporting plate assembly           | 1   | 47 |        | Wheel axle               | 1   |
| 24 |        | M8X110 bolt                         | 4   | 48 | 023113 | Wheel                    | 2   |

**LS 8T**

| No | Code | Name         | Qty | No  | Code | Name | Qty |
|----|------|--------------|-----|-----|------|------|-----|
| 49 |      | Pin          | 2   | 97  |      |      |     |
| 50 |      | Circuit ring | 2   | 98  |      |      |     |
| 51 |      | Shaft        | 1   | 99  |      |      |     |
| 52 |      |              |     | 100 |      |      |     |
| 53 |      |              |     | 101 |      |      |     |
| 54 |      |              |     | 102 |      |      |     |
| 55 |      |              |     | 103 |      |      |     |
| 56 |      |              |     | 104 |      |      |     |
| 57 |      |              |     | 105 |      |      |     |
| 58 |      |              |     | 106 |      |      |     |
| 59 |      |              |     | 107 |      |      |     |
| 60 |      |              |     | 108 |      |      |     |
| 61 |      |              |     | 109 |      |      |     |
| 62 |      |              |     | 110 |      |      |     |
| 63 |      |              |     | 111 |      |      |     |
| 64 |      |              |     | 112 |      |      |     |
| 65 |      |              |     | 113 |      |      |     |
| 66 |      |              |     | 114 |      |      |     |
| 67 |      |              |     | 115 |      |      |     |
| 68 |      |              |     | 116 |      |      |     |
| 69 |      |              |     | 117 |      |      |     |
| 70 |      |              |     | 118 |      |      |     |
| 71 |      |              |     | 119 |      |      |     |
| 72 |      |              |     | 120 |      |      |     |
| 73 |      |              |     | 121 |      |      |     |
| 74 |      |              |     | 122 |      |      |     |
| 75 |      |              |     | 123 |      |      |     |
| 76 |      |              |     | 124 |      |      |     |
| 77 |      |              |     | 125 |      |      |     |
| 78 |      |              |     | 126 |      |      |     |
| 79 |      |              |     | 127 |      |      |     |
| 80 |      |              |     | 128 |      |      |     |
| 81 |      |              |     | 129 |      |      |     |
| 82 |      |              |     | 130 |      |      |     |
| 83 |      |              |     | 131 |      |      |     |
| 84 |      |              |     | 132 |      |      |     |
| 85 |      |              |     | 133 |      |      |     |
| 86 |      |              |     | 134 |      |      |     |
| 87 |      |              |     | 135 |      |      |     |
| 88 |      |              |     | 136 |      |      |     |
| 89 |      |              |     | 137 |      |      |     |
| 90 |      |              |     | 138 |      |      |     |
| 91 |      |              |     | 139 |      |      |     |
| 92 |      |              |     | 140 |      |      |     |
| 93 |      |              |     | 141 |      |      |     |
| 94 |      |              |     | 142 |      |      |     |
| 95 |      |              |     | 143 |      |      |     |
| 96 |      |              |     | 144 |      |      |     |