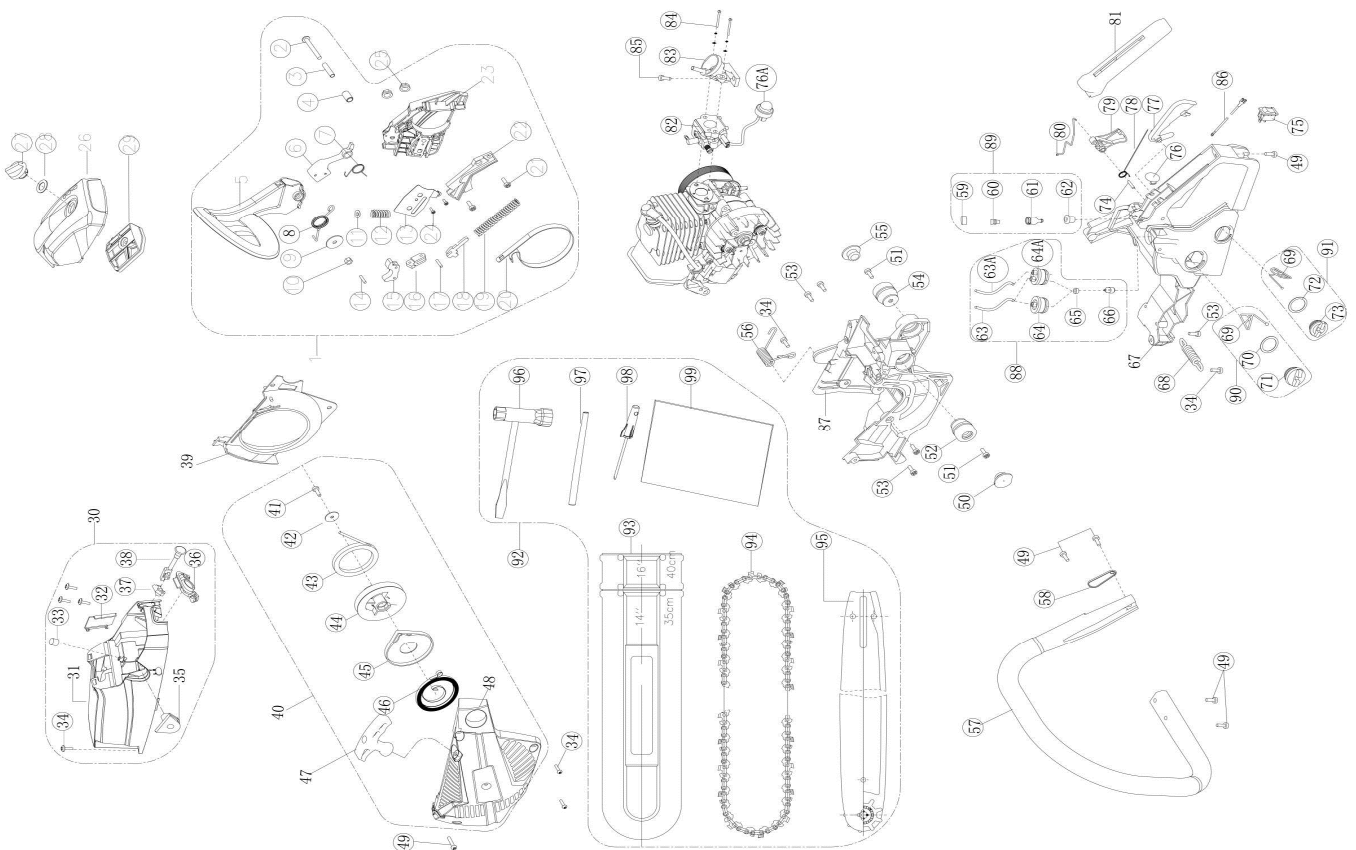


VGS 20 S - Base unit

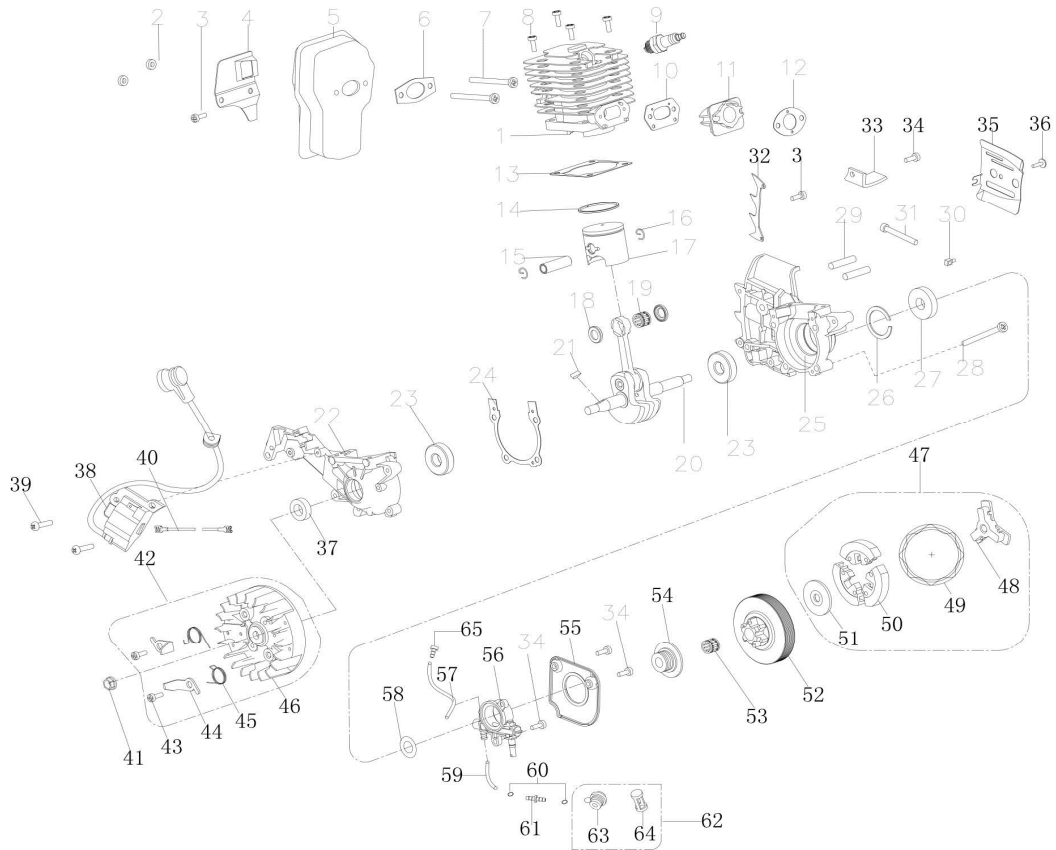


No	Code	Name	Qty	No	Code	Name	Qty
1	017055	right cover assembly	1	25	010519	nut M8	2
2		screw M5X40	1	26	017056	air filter cover	1
3		pin gland 5x6.3x30	1	27	010512	air filter lock nut	1
4		heavy brock gland 6.3x9x15	1	28		lock nut washer 15x26x1	1
5		front damper	1	29	010516	air filter	1
6		heavy brock	1	30		upper cover plate assembly	1
7		heavy brock spring	1	31	017057	upper cover plate	1
8	010508	brake torsion rod spring	1	32		anti-freeze block	1
9		washer 5.2x23x1.2	1	33		shock block	1
10		lock- nut M5	1	34		tapping screw ST4.8x19	10
11		spring base	1	35		idle adjusting guide set	1
12		front guard spring	1	36	017058	dust shield	1
13		tensioner cover plate	1	37	017059	throttle lever retaining bracket	1
14		pin 3x14	1	38	010521	throttle rod	1
15		main level	1	39		bossing	1
16		secondary pull-rod	1	40	017060	start assembly	1
17		pin 3x9	3	41		tapping screw ST4.8x13	1
18		break control rod	1	42		washer 5	1
19		brake spring	1	43		start stretching wire3x920	1
20		break strap	1	44	010524	start plate	1
21		tapping screw ST4.2x12	2	45		coil-spring gand	1
22		break spring cover plate	1	46		start coil-spring	1
23		right cover	1	47	010608	start handle	1
24		tapping screw ST4.2X9.5	2	48		start cover	1

VGS 20 S - Base unit

No	Code	Name	Qty	No	Code	Name	Qty
49		tapping screw ST4.8×25	6	94		saw chain	1
50	010696	dust cover1	1	95		guide bar	1
51		tapping screw ST4.8×16	2	96		spark sleeve	1
52	010525	cushion socket 1	1	97		file	1
53		screw M5×14	5	98		screwdriver	1
54	010663	cushion socket 2	1	99		manual	1
55	010667	dust cover 2	1	100			
56	017061	front handle spring	1	101			
57	014855	front handle	1	102			
58		torsion rod spring cover plate	1	103			
59		balancer cover	1	104			
60		balancer rubber	1	105			
61		balancer body	1	106			
62	012292	balancer root	1	107			
63	019885	fuel tube	1	108			
63A		scavenge tube	1	109			
64	031950	tube root	1	110			
64A		tube root	1	111			
65		clump weight	1	112			
66		fuel filter assembly	1	113			
67	031907	base	1	114			
68	017063	base spring	1	115			
69		anti-drop plate	1	116			
70		packing washer 24.7×3.55	1	117			
71		petrol cover	1	118			
72		packing washer 19×3.1	1	119			
73		oil cover	1	120			
74		pin 5×24	1	121			
75	017064	extinction switch	1	122			
76		Primer Assy	1	123			
76A	010532	primer bulb	1	124			
77	010534	trigger control rack	1	125			
78	010535	trigger torsion rod spring	1	126			
79	010536	trigger	1	127			
80	010537	throttle rod	1	128			
81	031947	handle cover	1	129			
82	010538	carburetor	1	130			
83	031946	air intake socket	1	131			
84		carburetor screw	2	132			
85		air intake socket screw	1	133			
86		earth cable	1	134			
87	021802	case	1	135			
88	019886	fuel filter assembly with tube	1	136			
89	017065	breather valve assy	1	137			
90	029889	fuel tank-cap assy	1	138			
91	031945	cap oil tank	1	139			
92		accessory assy	1	140			
93		chain cover	1	141			

VGS 20 S - Engine



No	Code	Name	Qty	No	Code	Name	Qty
1	010539	cylinder body	1	25	010560	right crank case	1
2		nut M5	2	26	010561	shield ring 32	1
3		screw M5X14	2	27	010562	oil seal 12X32X5.5	1
4		silencer cover plate	1	28		screw M5X30	4
5	023069	silencer body	1	29		double-screw bolt AYM8-M8X26-8.8	2
6	010540	silencer sealing plate	1	30	019888	tension block	1
7	010541	muffler connecting screw	1	31		adjust screw M5X48	1
8		screw M5X20	4	32		spiked bumper	1
9	010542	spark plug NHSP LD L8RTF	1	33	035192	chain catcher	1
10	010543	air intake tube sealing plate	1	34		chain catcher screw	1
11	010544	air intake tube	1	35	031903	damper	1
12	010545	carburetor sealing plate	1	36		screw M4X10	1
13	010546	cylinder sealing plate	1	37	010563	oil seal 12X22X7	1
14	010548	piston ring	1	38	010564	igniter	1
15	010549	piston pin	1	39		screw M4X14	6
16	010550	piston pin circlip	2	40		extinction conductor	1
17	014854	piston	1	41		nut M8X1	1
18	010553	needle bearing ring	2	42		flywheel assembly	1
19	010554	needle bearing 10X14X11	1	43	010565	pusher dog screw	2
20	010555	crank shaft components	1	44	010566	pusher dog	2
21	010556	semicircular key 3X3.5X10	1	45	010567	torsion rod spring	2
22	010557	left crank case	1	46	010569	flywheel	1
23	010771	bearing 6202 grade D 15X35X11	2	47	010570	clutch assembly	1
24	010559	case body sealing plate	1	48		retainer	1

VGS 20 S - Engine

No	Code	Name	Qty	No	Code	Name	Qty
49		clutch extension spring	1	97			
50		shoe block	1	98			
51		clutch adjusting washer	1	99			
52	010572	clutch shell	1	100			
53	010574	needle bearing 10X13X13	1	101			
54	010575	worm	1	102			
55		cover plate	1	103			
56	010577	oil pump	1	104			
57	010579	oil outgoing tube 3X6.5X80	1	105			
58		worm washer 10X18X1	1	106			
59	010580	oil ingoing tube 3.3X6.5X68	1	107			
60		oil tube clip	2	108			
61	019889	oil tube tie-in	1	109			
62		oil filter screen assy	1	110			
63	031904	nozzle	1	111			
64		oil filter screen	1	112			
65			1	113			
66				114			
67				115			
68				116			
69				117			
70				118			
71				119			
72				120			
73				121			
74				122			
75				123			
76				124			
77				125			
78				126			
79				127			
80				128			
81				129			
82				130			
83				131			
84				132			
85				133			
86				134			
87				135			
88				136			
89				137			
90				138			
91				139			
92				140			
93				141			
94				142			
95				143			
96				144			