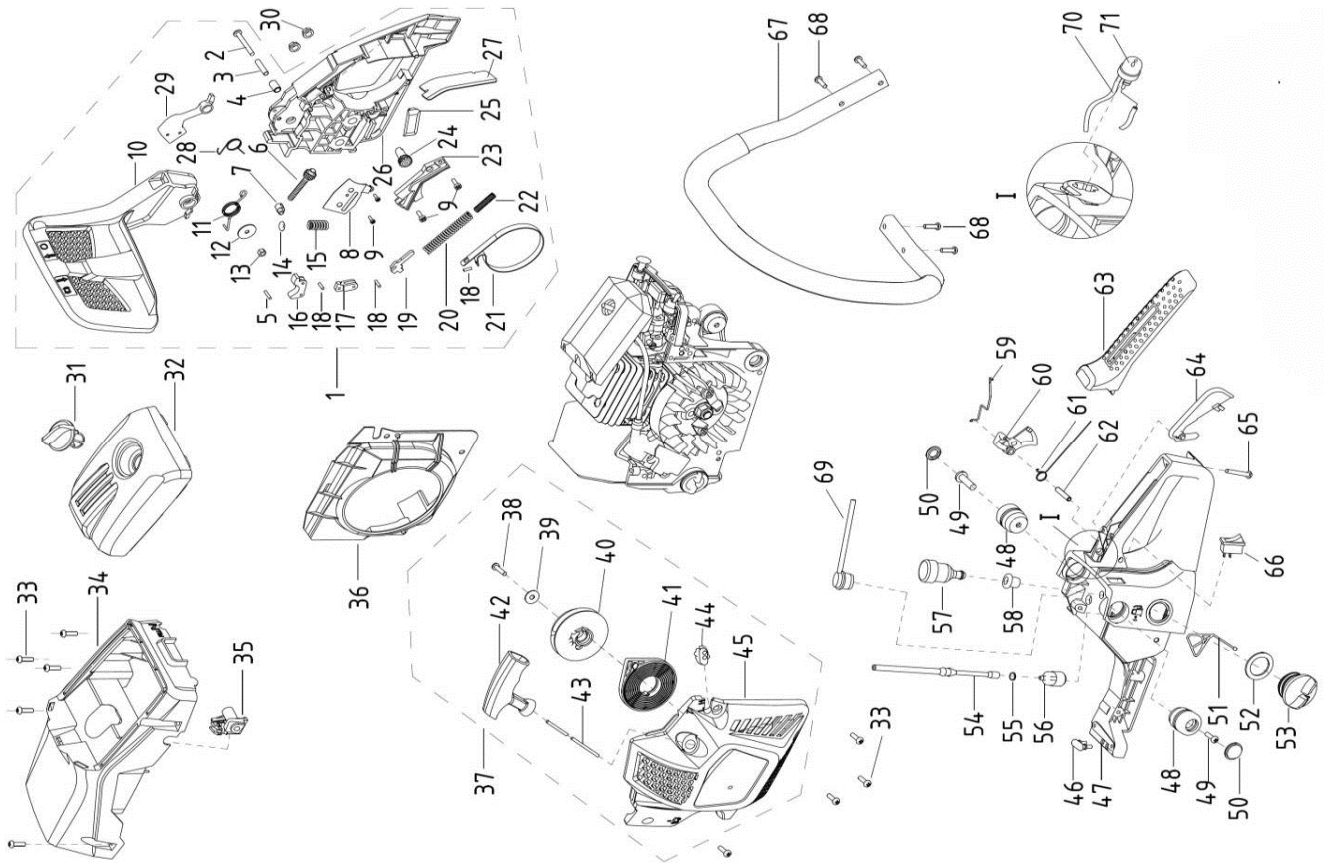


## VGS 30 P - Base unit

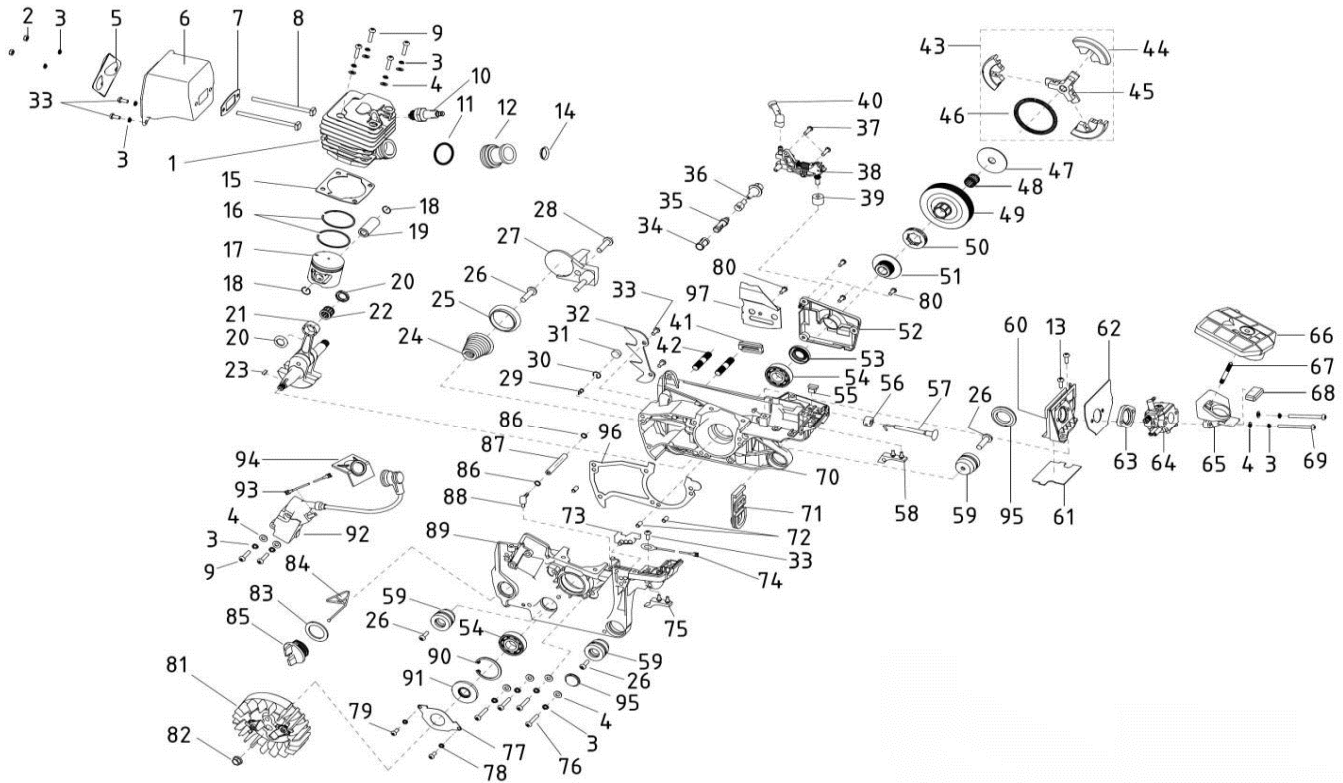


No	Code	Name	Qty	No	Code	Name	Qty
1	031908	right cover assembly	1	25		chain guide block	1
2		screw M5×40	1	26		right cover	1
3		shield pipe	1	27		dust shield	1
4		pipe	1	28		heavy block spring	1
5		pin 3×14	1	29	010658	heavy block	1
6	031915	tightener screw	1	30	031910	nut M8	2
7		tension block	1	31	031911	air filter lock nut	1
8		tensioner cover plate	1	32		air filter cover	1
9		tapping screw ST4.2×9.5	4	33	031912	screw M5×16	9
10		front damper	1	34		upper cover plate	1
11	010508	brake torsion rod spring	1	35		idle adjusting guide set	1
12		washer 5.2×20×1.2	1	36	031913	guide flow cover	1
13		nut M5	1	37		starter assembly	1
14		spring base	1	38		tapping screw ST4.8×14	1
15		front damper spring	1	39	10717	washer 5	1
16		main lever	1	40	23056	starter palte	1
17		secondary pull-rod	1	41	10608	start coil spring	1
18		pin 3×9	3	42	10609	start handle	1
19		brake control rod	1	43		start stretching wire	1
20		brake spring	1	44		LH sheathing	1
21		brake strap	1	45		starter cover	1
22		secondary brake spring	1	46	031914	shock rubber	1
23	031916	brake spring cover plate	1	47	10666	base	1
24		tension gear	1	48		shock rubber gland	2

## VGS 30 P - Base unit

No	Code	Name	Qty	No	Code		
49		screw	2	97			
50	010737	dust cover	2	98			
51		anti-drop plate	1	99			
52	031919	O sealing 24.7×3.55	1	100			
53	010738	petrol cover	1	101			
54		fuel tube	1	102			
55	010739	fuel tube circlip	1	103			
56	17065	petrol filter componets	1	104			
57	12292	balancer	1	105			
58	10741	balancer root	1	106			
59	10743	throttle rod	1	107			
60	10744	trigger	1	108			
61	010746	trigger torsion rod spring	1	109			
62	031918	pin6×22	1	110			
63	031917	handle cover	1	111			
64		trigger control rack	1	112			
65	017064	tapping screw ST4.2×22	1	113			
66		extinction switch	1	114			
67		front handle assembly	1	115			
68	29887	tapping screw ST4.8×16	4	116			
69	017071	scavenge nozzle	1	117			
70	10532	pump tube	1	118			
71		Primer bulb	1	119			
72				120			
73				121			
74				122			
75				123			
76				124			
77				125			
78				126			
79				127			
80				128			
81				129			
82				130			
83				131			
84				132			
85				133			
86				134			
87				135			
88				136			
89				137			
90				138			
91				139			
92				140			
93				141			
94				142			
95				143			
96				144			

VGS 30 P - Engine parts



No	Code	Name	Qty	No	Code	Name	Qty
1	10607	cylinder	1	25	017073	conical spreader base	1
2		nut M5	2	26		tapping screw ST4.8×16	4
3		washer 5	15	27	013213	chain shield	1
4		washer 5	13	28		screw M5×16	1
5		muffler cover plate	1	29	026981	aeration jet	1
6	010690	muffler body	1	30		aeration jet circlip	1
7	10612	muffler sealing plate	1	31		sponge transition block	1
8	10613	muffler connecting screw	2	32	031902	pinion rack	1
9		screw M5×20	6	33		screw M5×10	5
10	10542	spark plug	1	34	010637	oil filter screen	1
11	10617	spring	1	35	010639	oil filter	1
12	10619	air intake tube	1	36	010642	oil tube	1
13		screw M5×12	2	37		screw M4×14	2
14		hold coil	1	38	10644	oil pump	1
15	10621	cylinder sealing plate	1	39		sponge transition coil	1
16	10623	piston ring	2	40	010760	nozzle	1
17	10624	piston	1	41		chain guide block	1
18	010707	piston pin circlip	2	42	13198	double-screw bolt AYM8-M8×26-8.8	2
19	10628	piston pin	1	43	10648	clutch	1
20	031921	needle bearing ring	2	44		shoe block	3
21	031922	crank shaft components	1	45	10649	retainer	1
22	010712	needle bearing 11×15×12.5	1	46		clutch spring	1
23	10635	semicircular key 3×3.5×10	1	47	010765	clutch adjusting washer	1
24	013211	conical spring base	1	48	10656	needle bearing 12×15×14.5	1

## VGS 30 P - Engine parts

No	Code	Name	Qty	No	Code		
49	10657	clutch shell	1	97		damper	1
50	10659	sprocket	1	98			
51	10660	worm	1	99			
52	019891	cover plate	1	100			
53	10661	oil seal 15×28×5	1	101			
54	010771	bearing 6202D grade 15×35×11	2	102			
55		cushion block	1	103			
56		choke rod fixation root	1	104			
57	10664	choke rod	1	105			
58		right shock block	1	106			
59	10735	shock seat	3	107			
60	10668	air intake tube support	1	108			
61		tie plate	1	109			
62	10670	sealing plate of air intake support	1	110			
63	010777	air intake tube flange	1	111			
64	010778	carburetor	1	112			
65	10673	air intake socket	1	113			
66	031920	air filter	1	114			
67	010677	double-screw bolt GM5-M5×30	1	115			
68		cushion of air intake socket	1	116			
69		screw M5×50	2	117			
70	31923	right case	1	118			
71		dust plate	1	119			
72		pin 5×10	3	120			
73		earth wire	1	121			
74		guide sleeve	1	122			
75		left shock block	1	123			
76		screw M5×25	5	124			
77	013210	oil shield	1	125			
78		washer 4	2	126			
79		screw M4×8	2	127			
80		screw M4×10	4	128			
81	10680	flywheel assembly	1	129			
82		nut M8×1	1	130			
83		O sealing 20×3.1	1	131			
84		anti-drop plate	1	132			
85	031925	oil cover	1	133			
86		suction tube circlip	2	134			
87		suction tube 2.5×6×105	1	135			
88	017075	suction jet	1	136			
89	031924	left case	1	137			
90	10689	shield ring 35	1	138			
91	10692	oil seal 15×35×5	1	139			
92	10694	igniter	1	140			
93		extinction conductor	1	141			
94		igniter cap	1	142			
95		dust cover	2	143			
96	10697	case body sealing plate	1	144			