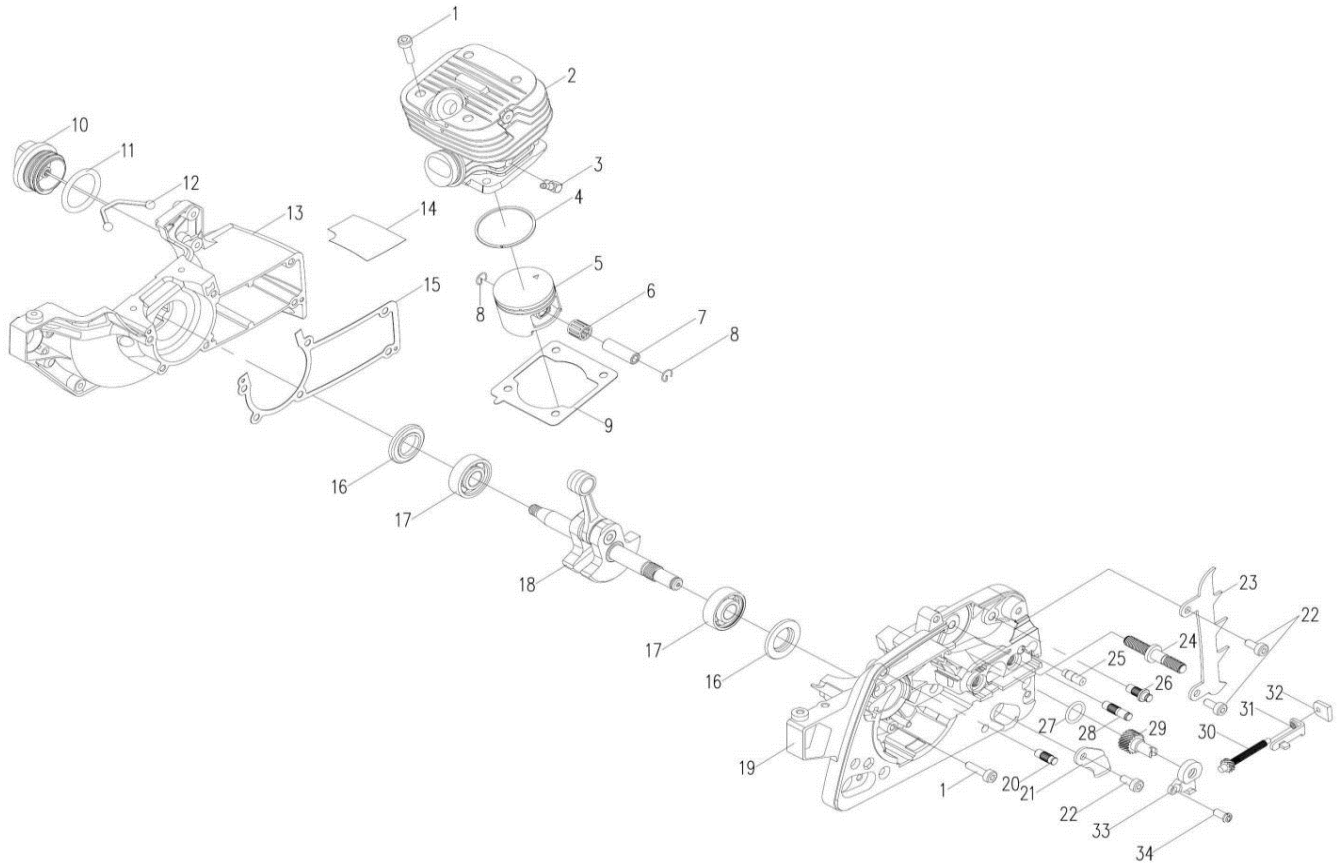


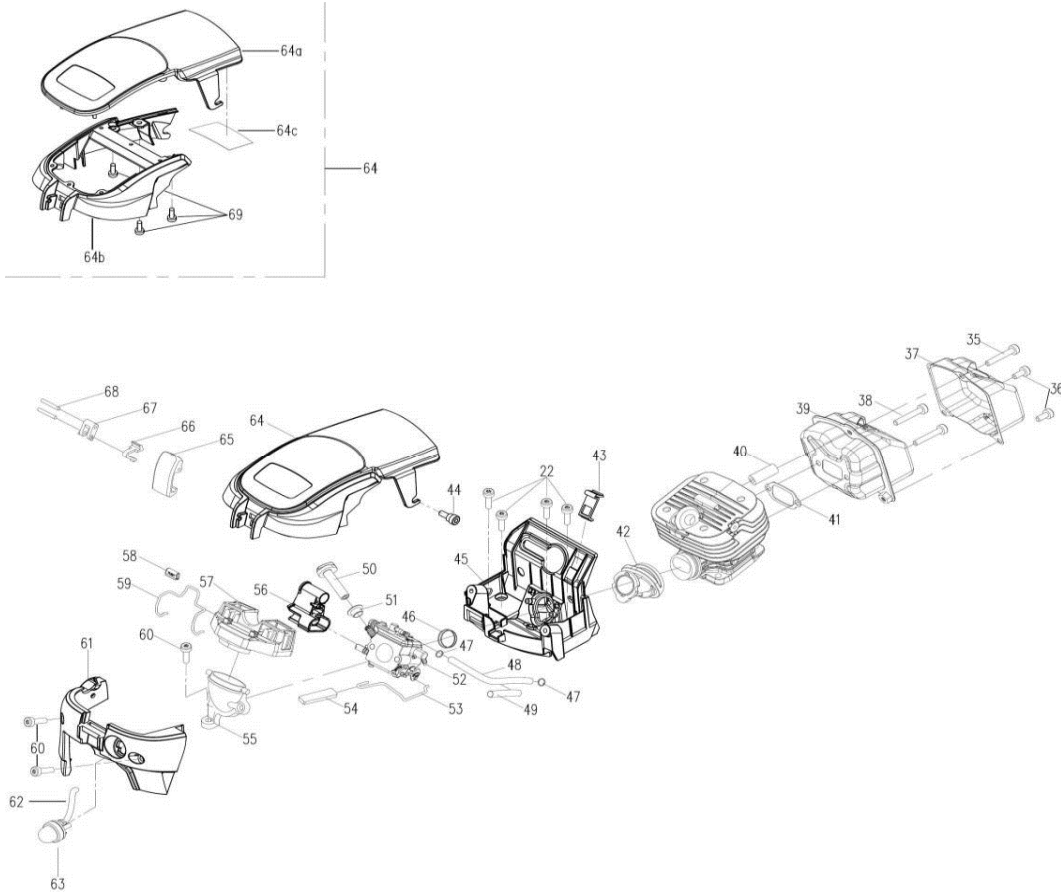
VGS 4125 PE



No	Code	Name	Qty	No	Code	Name	Qty
1		screw M5X20	10	25		vent nozzle	1
2	048040	cylinder	1	26		pin for gemel	1
3	048512	pressure nozzle	1	27		O-ring 7X2	1
4	048042	piston ring	2	28		pin for front handle guard	1
5	048041	piston	1	29	048524	tensioner gear	1
6	048513	needle bearing $\varnothing 9 \times \varnothing 12 \times 12$	1	30	048438	tensioner screw	1
7	048043	piston pin	1	31		tensioner block	1
8	048044	circlip	2	32	048439	position block	1
9	048514	cylinder gasket	1	33		gear cover	1
10	048515	oil tank cap	2	34		screw M4X10	3
11		O-ring $\varnothing 28 \times \varnothing 4$	2				
12		tank cap retainer	2				
13	048516	left crankcase	1				
14		crankcase heat isolation	1				
15	048517	crankcase gasket	1				
16	048518	oil sealing	2				
17	048519	bearing	2				
18	048520	crankshaft	1				
19		right crankcase	1				
20		pin for brake spring	1				
21	048521	chain catcher	1				
22		screw M5X16	10				
23	048522	spiked bumper	1				
24	048523	supporting bolt	2				

Engine

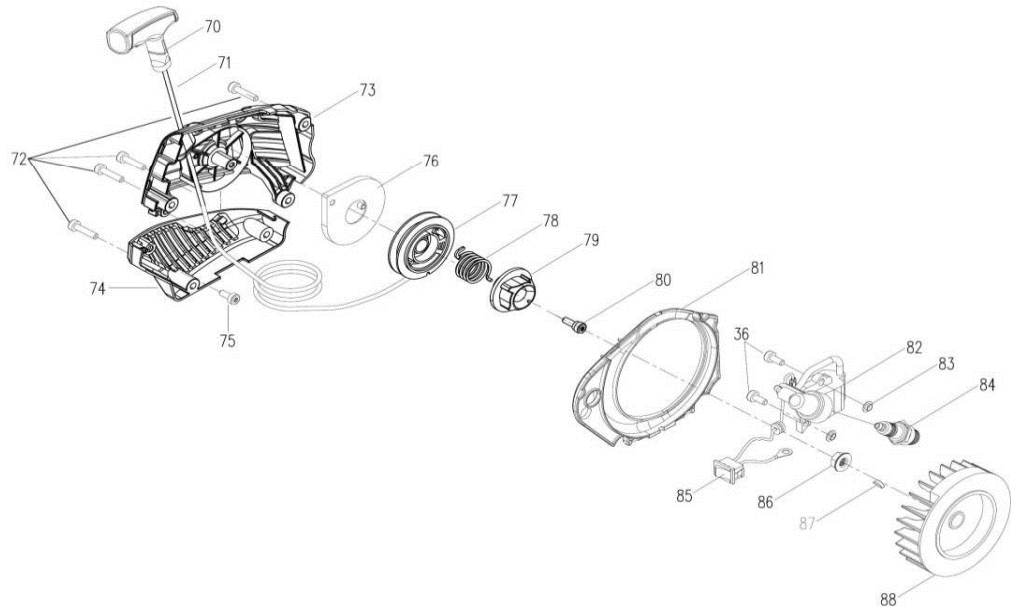
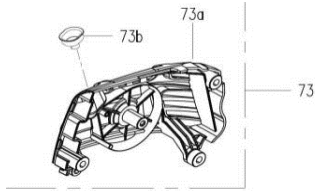
VGS 4125 PE



No	Code	Name	Qty	No	Code	Name	Qty
35		screw M5X40	1	59	048534	locking spring	1
36		screw M5X12	4	60		tapping screw ST5.7X16	13
37	048525	muffler cover	1	61		rear cover	1
38		muffler screw	2	62		pump tube $\varnothing 2.5 \times \varnothing 5 \times 52$	1
39		muffler	1	63	048444	primer bulb	1
40		support tube	1	64		cylinder shield assembly	1
41	048526	muffler gasket	1	64a		cylinder shield	1
42	048527	intake pipe	1	64b		cylinder shield support	1
43		hot/freeze change screen	1	64c		top heat isolation	1
44		position screw	2	65	048570	lock lever	1
45	048528	carburettor support	1	66	048569	hook	1
46	048580	support ring	1	67		transfer bar	1
47		circlip	2	68		pin 3X22	3
48		pressure tube $\varnothing 2.5 \times \varnothing 6 \times 95$	1	69		tapping screw ST4.2X10	6
49		heat isolation tube	1				
50	048529	choke knob	1				
51		choke knob base	1				
52	048071	carburettor	1				
53	048530	throttle rod	1				
54	048531	throttle knob	1				
55	048532	air filter base	1				
56		L/H guider	1				
57	048533	air filter	1				
58	048571	lock knob	1				

Housing

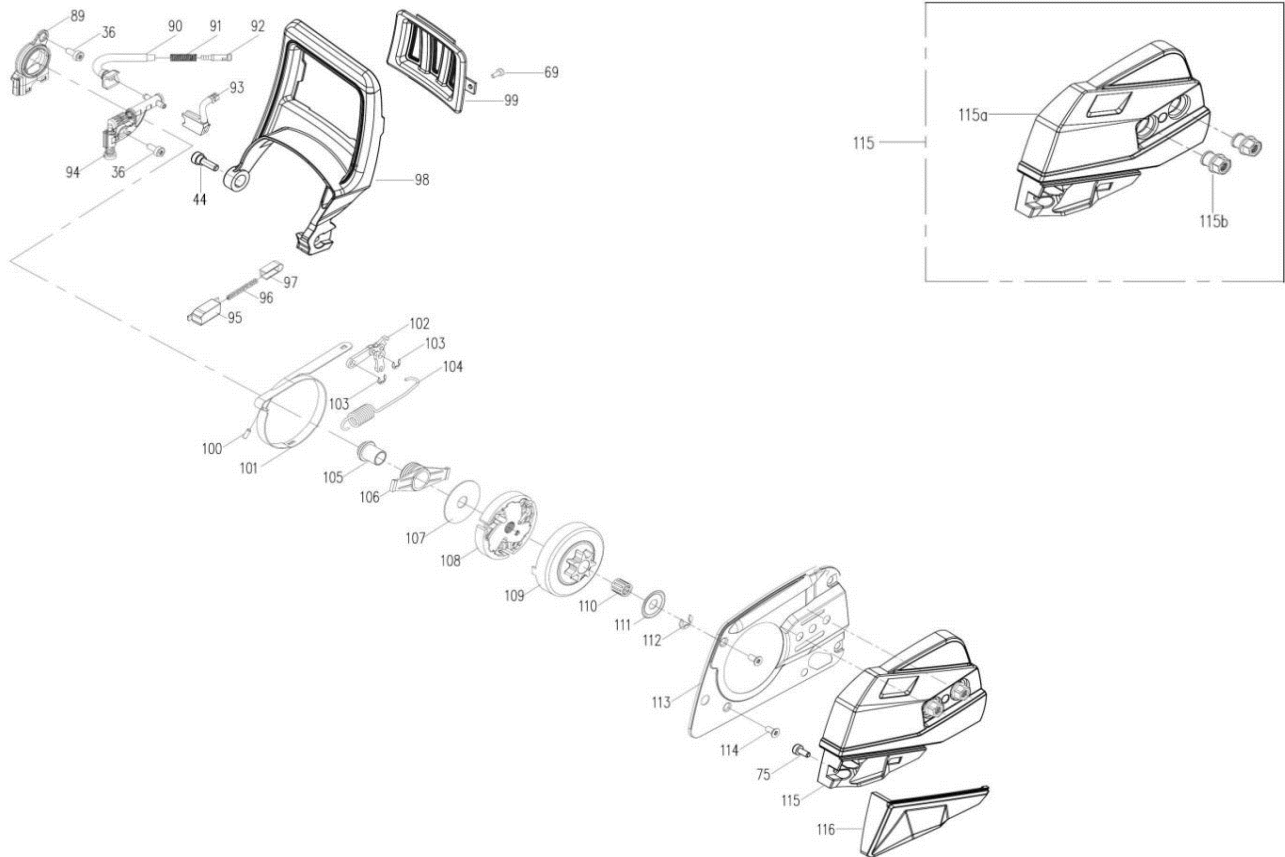
VGS 4125 PE



No	Code	Name	Qty	No	Code	Name	Qty
70		starter handle	1				
71		starter rope	1				
72		screw M5X25	4				
73		starter cover assembly	1				
73a		starter cover	1				
73b		eye ring	1				
74		air intake screen	1				
75		ST5.7X13	2				
76	048541	starter spring	1				
77	048542	reel	1				
78	048543	starter torsion spring	1				
79	048544	starter ratchet	1				
80		starter screw	1				
81	048545	flow guiding cover	1				
82	048078	ignition	1				
83		heat isolating washer					
84	048445	spark plug	1				
85	048546	switch	1				
86	048547	nut M8X1	1				
87	048548	semi-circle key	1				
88	048446	rotator	1				

Starter and ignition

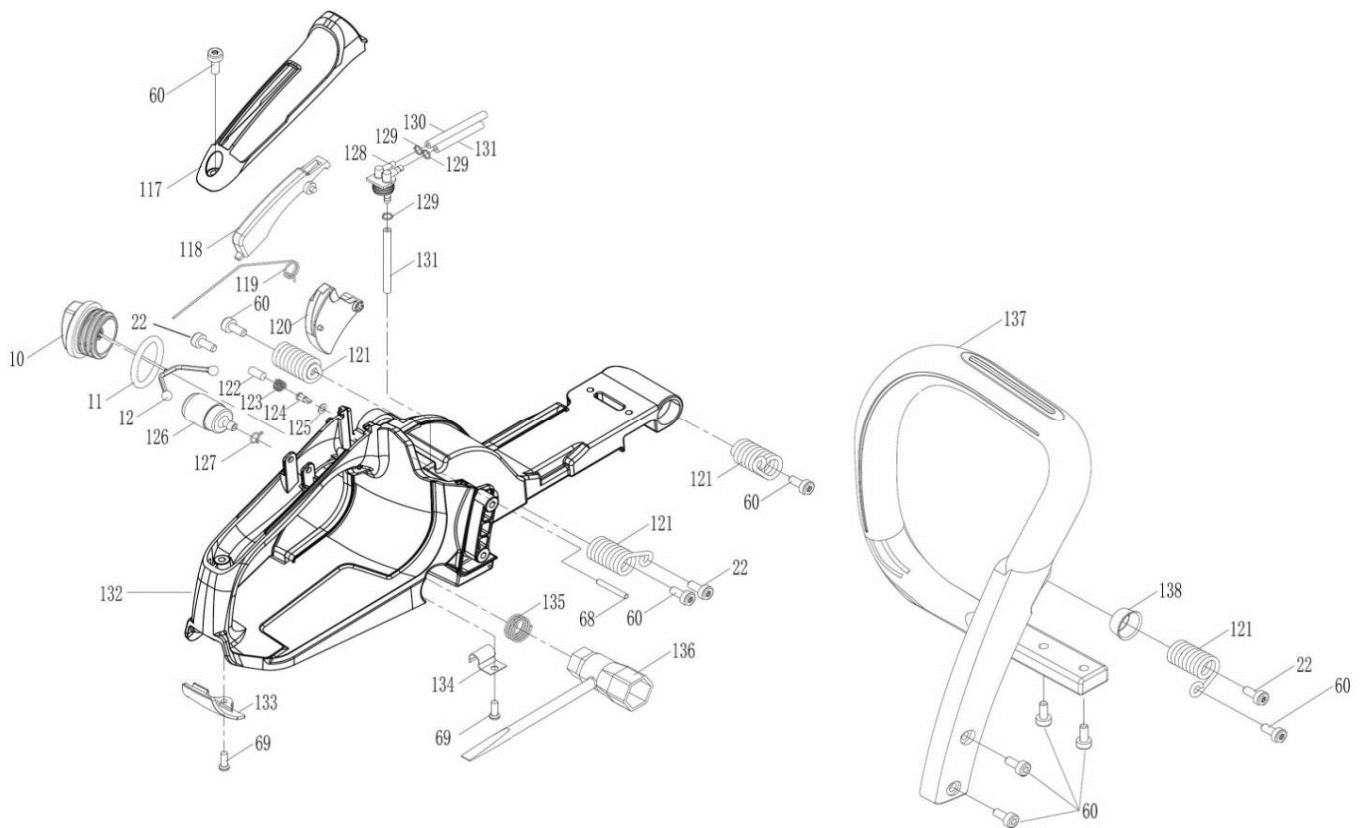
VGS 4125 PE



No	Code	Name	Qty	No	Code	Name	Qty
89	048507	oil pump cover	1	113	048510	brake spring cover	1
90		oil tube	1	114		screw M5X16	2
91		oil filter spring	1	115		clutch cover assembly	1
92		oil filter	1	115a		clutch cover	1
93	048508	spray nozzle	1	115b		clutch cover nut	2
94	048085	oil pump	1	116		chip discharge cover	1
95		return spring fixture	1				
96		return spring	1				
97		return spring cover	1				
98		front handle guard	1				
99		front handle guard fence	1				
100		position pin Ø3X8	1				
101	048509	brake strap	1				
102	048435	gemel	1				
103		E ring Ø5	2				
104	048436	brake spring	1				
105		bush for worm	1				
106	048083	worm	1				
107	048596	washer for clutch	1				
108	048048	clutch	1				
109	048080	clutch drum	1				
110	048437	needle bearing Ø10XØ14X13	1				
111		anti-friction washer	1				
112		E ring Ø8	1				

Clutch and brake

VGS 4125 PE



No	Code	Name	Qty	No	Code	Name	Qty
117		rear handle cover	1				
118		throttle trigger lock-out	1				
119	048535	throttle trigger spring	1				
120	048536	throttle trigger	1				
121	048537	anti-vibration spring	4				
122		filter	1				
123		spring	1				
124	048538	vent valve	1				
125		washer	1				
126		fuel filter	1				
127		clip $\varnothing 6 \times \varnothing 1$	1				
128	048539	pipe connection	1				
129		circlip	3				
130		return tube $\varnothing 2.5 \times \varnothing 5 \times 118$	1				
131		supply tube $02.5 \times 05 \times 93$	2				
132		rear handle	1				
133		bottom cover	1				
134		strap spring	1				
135		fixture spring	1				
136		spark plug wrench	1				
137	048540	front handle	1				
138		spring base	1				

Rear handle