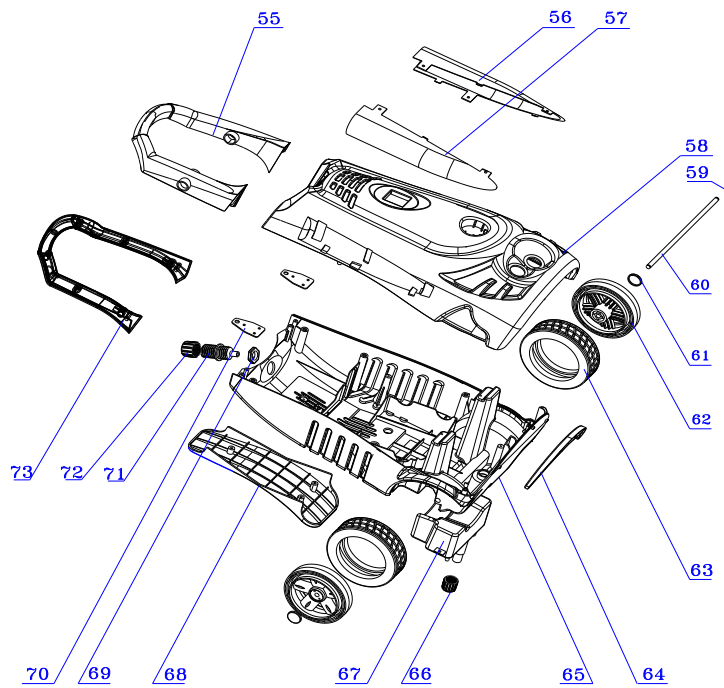
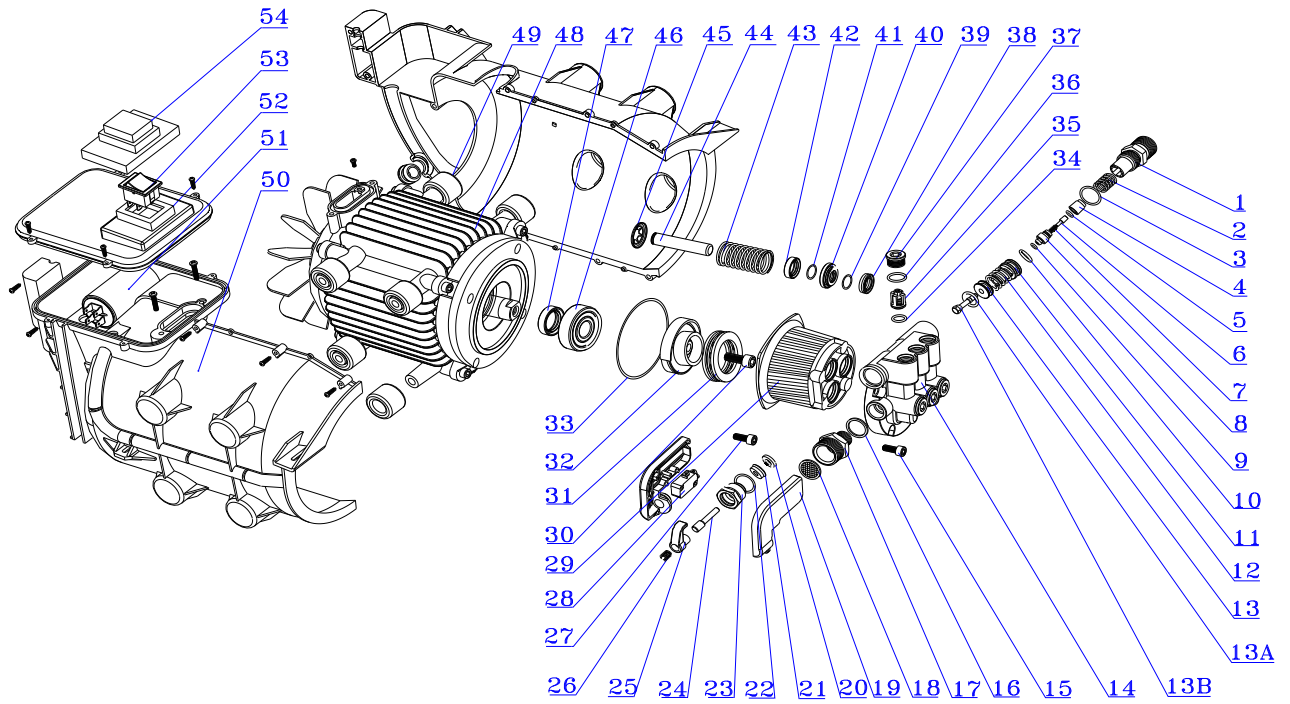


VHW 130





EXPLODED PARTS LIST

Year: 2018

Page(s): 2/2

VHW 130

No	Code	Name	Qty	No	Code	Name	Qty
1	029499	Kit, water outlet joint	1	47	029531	Skeleton Seal	1
2	029500	O-Ring, Φ 22x2.4mm	1	48	029532	Induction Motor	1
3		0.6X10.5X4.5X12	1	49	049357	Motor protect vover	1
4	029501	Blocking	1	50		Motor enclosure	1
5	029502	O-Ring, Φ 5x1.8 mm	1	51	029533	Capacitor	1
6	029503	Valve Core	1	52		Junction box cover	1
7	029504	Valve Core Spring	1	53	029534	Switch	1
8	029505	Jacket	1	54		Switch cover	1
9	029506	O-Ring, Φ 4.5x1.8 mm	1	55		Front handel cover	1
10		O-Ring, 16x2.4 mm	1	56		Left gun barrel	1
11	029507	Piston	1	57		Right gun barrel	1
12	029508	Piston Spring	1	58		Front cover	1
13	029509	Base Of Load Release Valve	1	59		Clip	2
13a	029510	O-Ring, Φ 5x1.8 mm	1	60		Axle	1
13b	029511	Rod Of Load Release Valve	1	61		Axle cover	2
14	029512	Pump Head	1	62		Wheel	2
15		M8X20	4	63		Rubber coating for wheel	2
16	029513	O-Ring, Φ 18x2.4 mm	1	64		Baseborad	1
17	029514	Water Inlet Joint	1	65		Back cover	1
18		Straine	1	66		Inner soap bottle lid	1
19		Cover Of Pressure Switch	1	67		Inner soap bottle	1
20		Gasket Of Connecting Nut	1	68		Power line frame	1
21		4X11X2.5 Y-Ring	1	69		Plastic screw nut	1
22		O-Ring, Φ 21x1.9 mm	1	70		Fixed plate	2
23		Connecting Nut	1	71		Sustain cover	1
24		Push Rod For Pressure Switch	1	72		Lid	1
25		Elbow	1	73		Back handle cover	1
26		Spring, Φ 1x Φ 7.8x 9x19	1				
27		M8X25 Screw Internal Hexagonal	4	14+	049356	Pump head adaptor	3
28	029515	Microswitch	1				
29	029516	Pump body	1		049355	Motor Fan	
30		Screw Internal hexagonal M8x20	1		026003	High pressure hose	
31	029517	Bearing , 51207	1		026731	Gun assembly	
32	029518	Bearing housing , Al alloy	1				
33	029519	O-ring, Φ 90x2.65	1				
34	029520	O-ring, Φ 14x1.9	6				
35	029521	Inlet&outlet valve	6				
36		O-ring Φ 16x1.9	6				
37	029522	Valve cap	6				
38	029523	Y-ring, Φ 14X22X5 mm	3				
39	029524	o-ring Φ 18x1.9	3				
40	029525	Interspace ringer	3				
41	029526	O-ring Φ 26x1.9	3				
42	029527	Reinforced seal Φ 14X22X5 mm	3				
43	029528	Spring	3				
44	029529	Plunger Φ 14	3				
45		Plunger clip	3				
46	029530	Bearing	1				