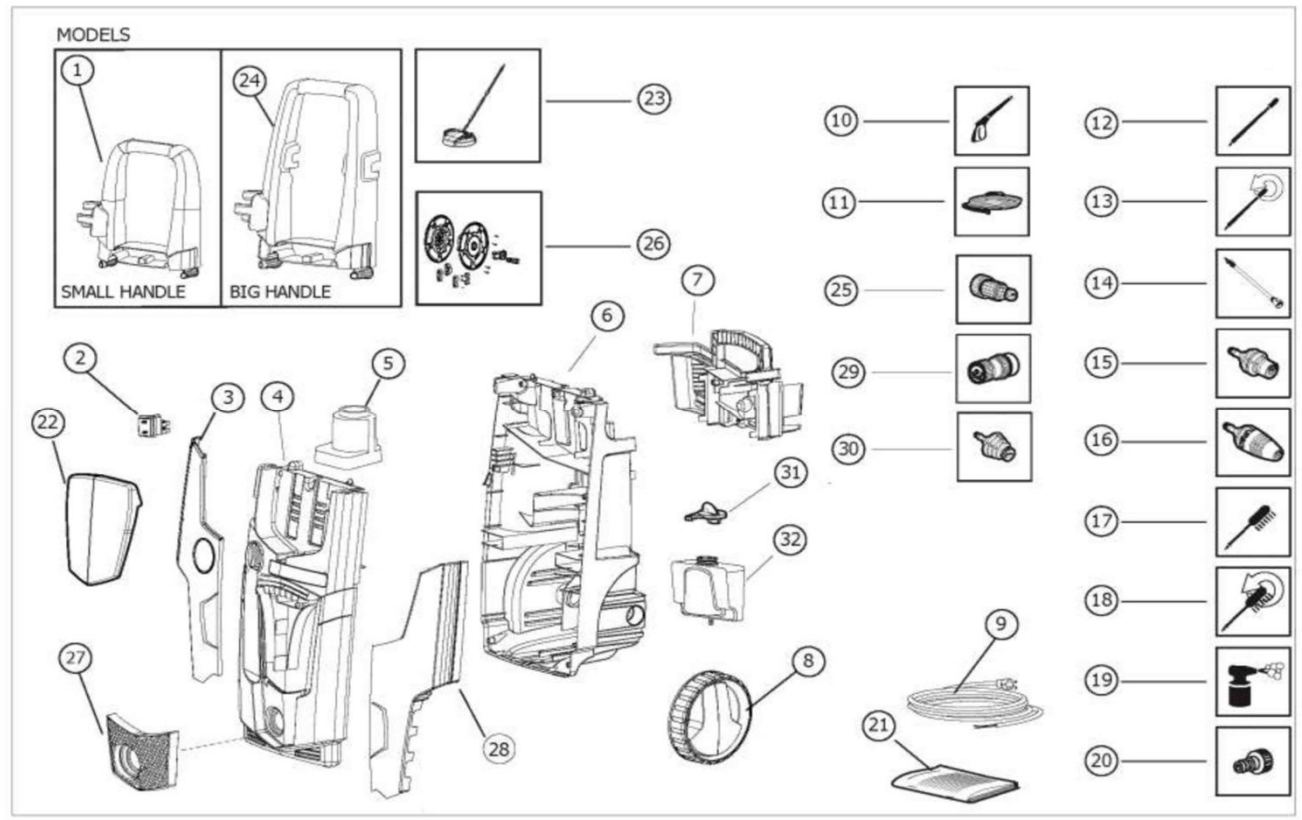


VHW 2500 S



No	Code	Name	Qty
2	042547	SWITCH 0/1 BLACK BOTTON IP55 12/10	
3		ORANGE LATERAL SHELL LEFT SCUBA PANT.716C	
4		BLACK FRONT CABINET FOR SCUBA W/TAMP.VILLAGER	
5		DX MOTOR CONVEYER	
6		PROCESS BLACK C BACK CABINET STM (FOR UNIVERSAL MOTOR - P80.0502	
7		BLACK ACCESSORY HOLDER STORM STEAM B&S	
8		WHEEL STM (SCUBA)	
9		CABLE H05VV-F 2X1,5 5,4MT SCHUKO PLUG	
10	041977	GUN S'09 WITH INTEGRAL QUICK JOINT VILLAGER	
11		HOSE 1/4 180BAR L=10m M22x1,5 D.15-RAPID FIX	
14	041972	LANCE S'12 WITHOUT NOZZLE HEAD WITH QUICK COUPLING/COGETIL	
15	041978	NOZZLE HEAD LANCE S'12 D.0,95 (ORANGE) ADJUST.FAN JET W/QUICK CO	
16	041973	ROTOX NOZZLE HEAD LANCE S'12 D.1,025 WITH QUICK COUPLING	
18	041975	ROTATING HYDRO BRUSH WITH HANDLE	
20		QUICK COUPLING INLET CONNECTOR	
21		MANUAL VHW2500S VILLAGER (80860116C)	
22		BLACK FRONTAL COVER FOR STM (P80.0502-U)	
23	041971	ORANGE (PANT.716C) FLOOR BRUSH L25 WITH EXTENSION (D.1,2)	
24		HANDLE FOR HOSE REEL + ORANGE GRIP PANT.716C (STM P80.0502)	
26		KIT HOSE REEL STM (WITH 10 METERS HOSE)	
28		ORANGE LATERAL SHELL RIGHT SCUBA PANT.716C	
30		SOAP HEAD LANCE S'12 W/QUICK COUPLING	
31		BLACK CAP FOR TANK P80.0425 (STM)	
32		NEUTRAL TANK P80.0425 (STORM II)	

