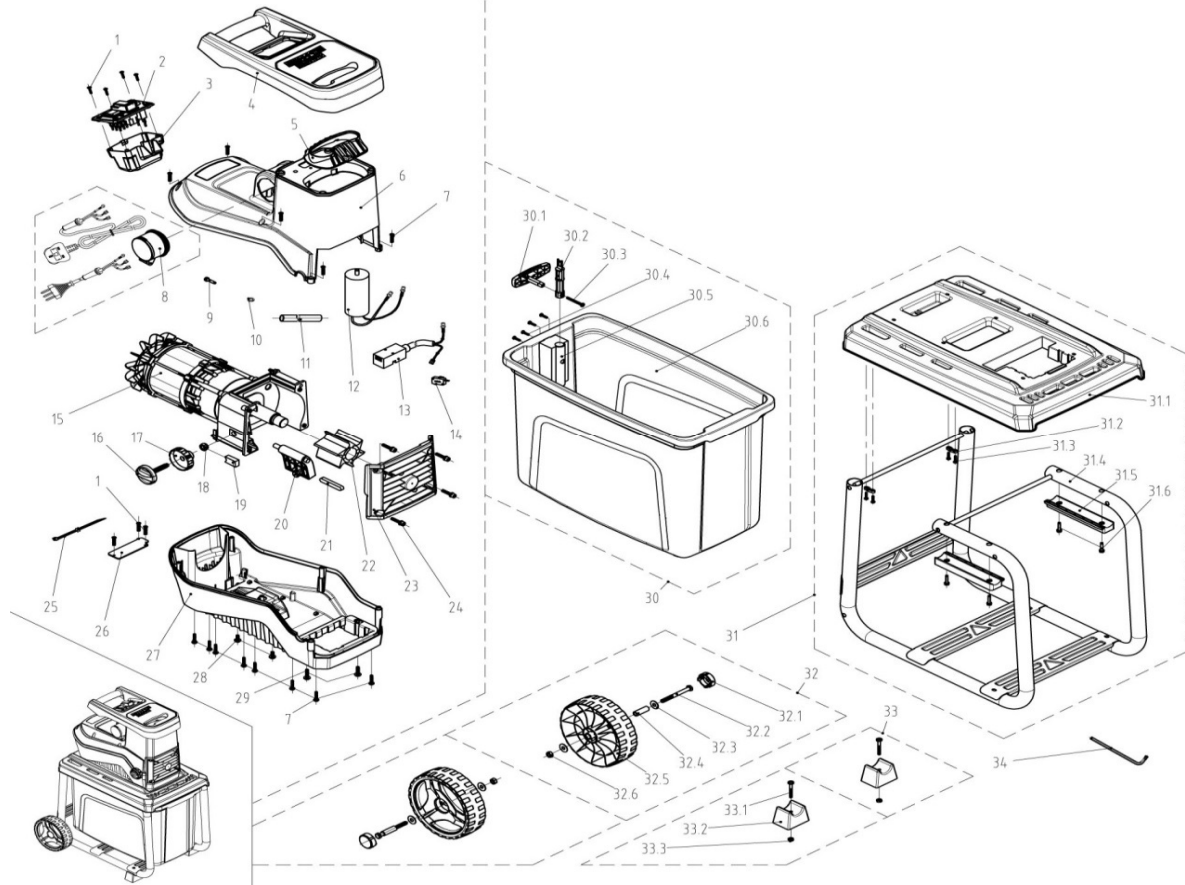


VS 2400 S



No	Code	Name	Qty	No	Code	Name	Qty
1		Pan head flange screw 4*16	7	25		Nylon cable tie	6
2	037356	Electrical control components	1	26		The switch board	1
3	037357	Switch box under the cover	1	27	037371	Lower housing	1
4	037358	The fuselage Put his hand	1	28		Combination screw 6*16	2
5		Feeder hopper	1	29		Combination screw 6*25	2
6	037360	Upper housing	1	30	037372	Rubbish bins	1
7		Flange face screw 5*25	18	30.1		Push button	1
8		Built-in waterproof plug	1	30.2		The switch push rod	1
9		Combination screw 5*16	1	30.3		Self tapping screw 5*25	1
10		The serrated lock washer	1	30.4		Flange face screw	4
11		Heat shrinkable tube	0,5	30.5		Push the torsion seat	1
12	037361	Capacitive component	1	30.6		Trash can	1
13		Strong to take off the switch compon	1	31		The base components	1
14	037363	Microswitch	1	31.1		The base	1
15	037364	Driving part	1	31.2		Cable clamp	2
16	037365	Adjusting knob	1	31.3		Flange face screw 4*16	4
17		Locking knob	1	31.4		Support base	1
18		Nut M10	1	31.5		Stents Pressure plate	2
19		Nut holder	1	31.6		Flange face screw 5*25	4
20		Inlet baffle	1	32		The wheel set	2
21	037368	A Flat key	1	32.1		Protection sleeve	2
22		hob	1	32.2		Machine screw 8*80	2
23	037370	End cover	1	32.3		Washer	6
24		Screw	4	32.4		Spindle cover	2

