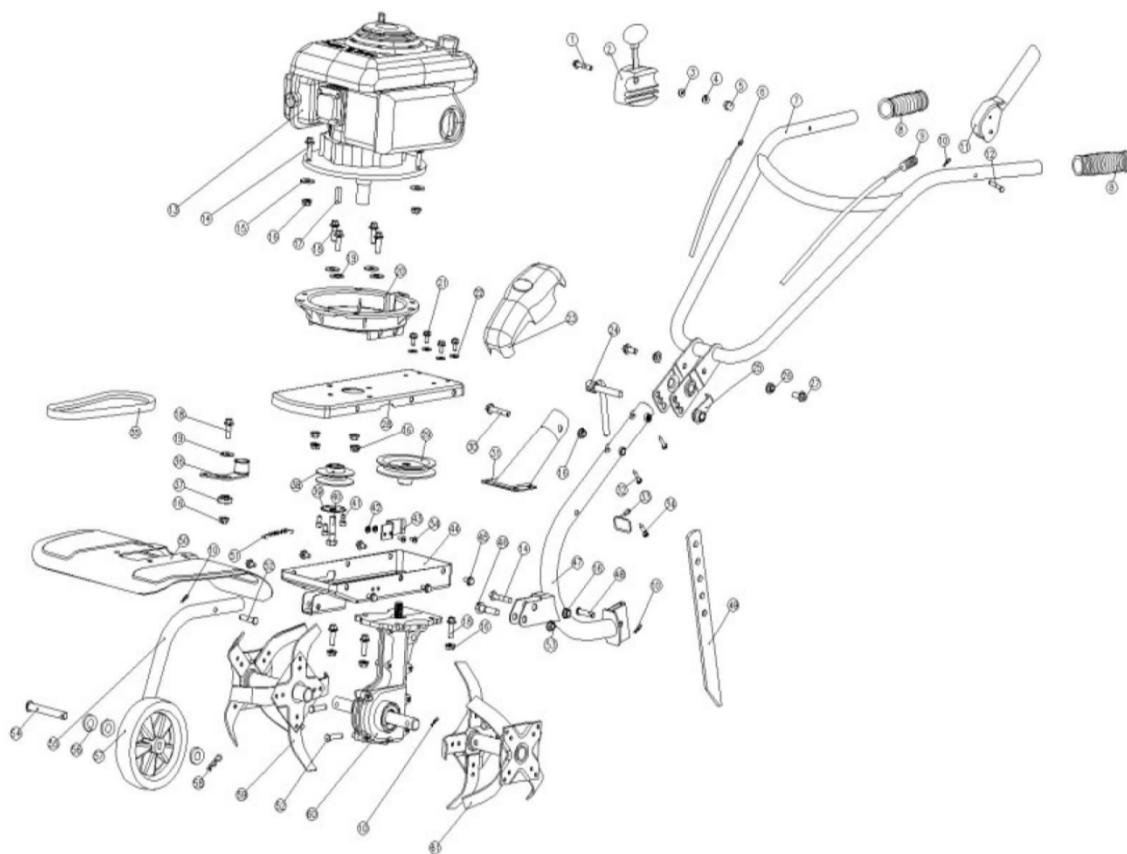


## VTB 360 - Machine

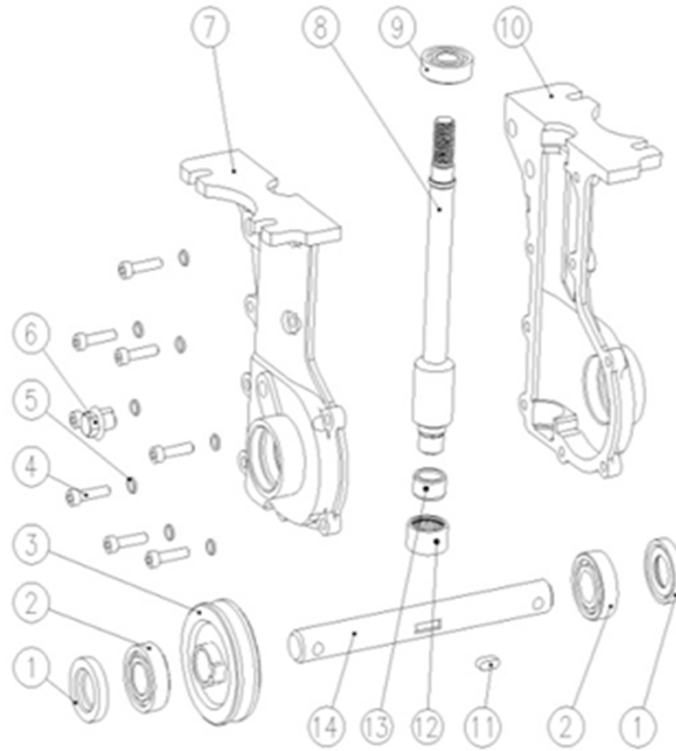


No	Code	Name	Qty	No	Code	Name	Qty
1		BoltM6*40	1	25		Support nut	1
2	040084	Throttle regulating handle assy	1	26		Armrest bushing	2
3		Flat gasket 6	1	27		BoltM8*20	2
4		Spring gasekt 6	1	28	040092	Upper belt box	1
5		Cap nut M6	1	29	040093	Driven pulley	1
6	040085	Throttle cable	1	30		BoltM8*45	1
7		Handle	1	31		Support bar	1
8	040086	Grip	2	32		Cross trough pan head self-drilling screw	2
9	040087	Clutch cable	1	33		Ring	1
10		B type Pin 2*9*38	5	34		BoltM5*12	3
11	040088	Clutch bar	1	35	040094	A type belt	1
12		Pin B6*35	1	36	040095	Tensioner assy	1
13		1P65 Gasoline engine	1	37		Tensioner bushing	1
14		BoltM8*40	4	38	040096	Driving pulley	1
15		Flat gasket 10	3	39		Pulley plate	1
16		Nut M8	13	40		Hex bolt 3/8-24UNF-2A	1
17	040089	Flat key 4.78*4.78*40	1	41		BoltM6*12	1
18		BoltM8*25	9	42		Hexagon lock nut M5	2
19		Big flat gasket 8	5	43		Belt plate	1
20	040090	Engine base	1	44	040097	Below belt box	1
21		BoltM6*10	4	45		BoltM6*16	6
22		Big flat gasket 6	4	46		BoltM10*40	1
23	040091	Plastic cover	1	47		Armrest bend	1
24		Lifting handle	1	48		Pin B6*35	3

## VTB 360 - Machine

No	Code	Name	Qty	No	Code	Name	Qty
49	040098	Deep furrowing resistance	1	97			
50	040099	Protective plate	1	98			
51	040100	Tensioner returning spring	1	99			
52		Pin B12*65	1	100			
53		Flat gasket 12	3	101			
54		Pin B 8*35	2	102			
55		B type Pin 3*20*60	1	103			
56		Lock nut M10	1	104			
57		Front support	1	105			
58	040101	Front wheel	1	106			
59	040102	2-4 blades assy (right)	1	107			
60	040103	Gear box assy	1	108			
61	040104	2-4 blades assy (left)	1	109			
62				110			
63				111			
64				112			
65				113			
66				114			
67				115			
68				116			
69				117			
70				118			
71				119			
72				120			
73				121			
74				122			
75				123			
76				124			
77				125			
78				126			
79				127			
80				128			
81				129			
82				130			
83				131			
84				132			
85				133			
86				134			
87				135			
88				136			
89				137			
90				138			
91				139			
92				140			
93				141			
94				142			
95				143			
96				144			

VTB 360 - Drive



No	Code	Name	Qty	No	Code	Name	Qty
1	040105	Oil seal 20*40*7	2	25			
2	032169	Bearing 6004	2	26			
3	040106	Worm wheel	1	27			
4		Hexagon socket cap screws M6*25	8	28			
5		Spring gasket 6	8	29			
6		Bolt M10*1.25-12	1	30			
7	040107	Right gear box	1	31			
8	040108	Worm	1	32			
9	010771	Bearing 6202	1	33			
10	040109	Left gear box	1	34			
11	040110	Flat key 6*6*29.5	1	35			
12	040111	Needle bearing BK2216	1	36			
13	040112	Axle sleeve	1	37			
14	040113	Output shaft	1	38			
15				39			
16				40			
17				41			
18				42			
19				43			
20				44			
21				45			
22				46			
23				47			
24				48			