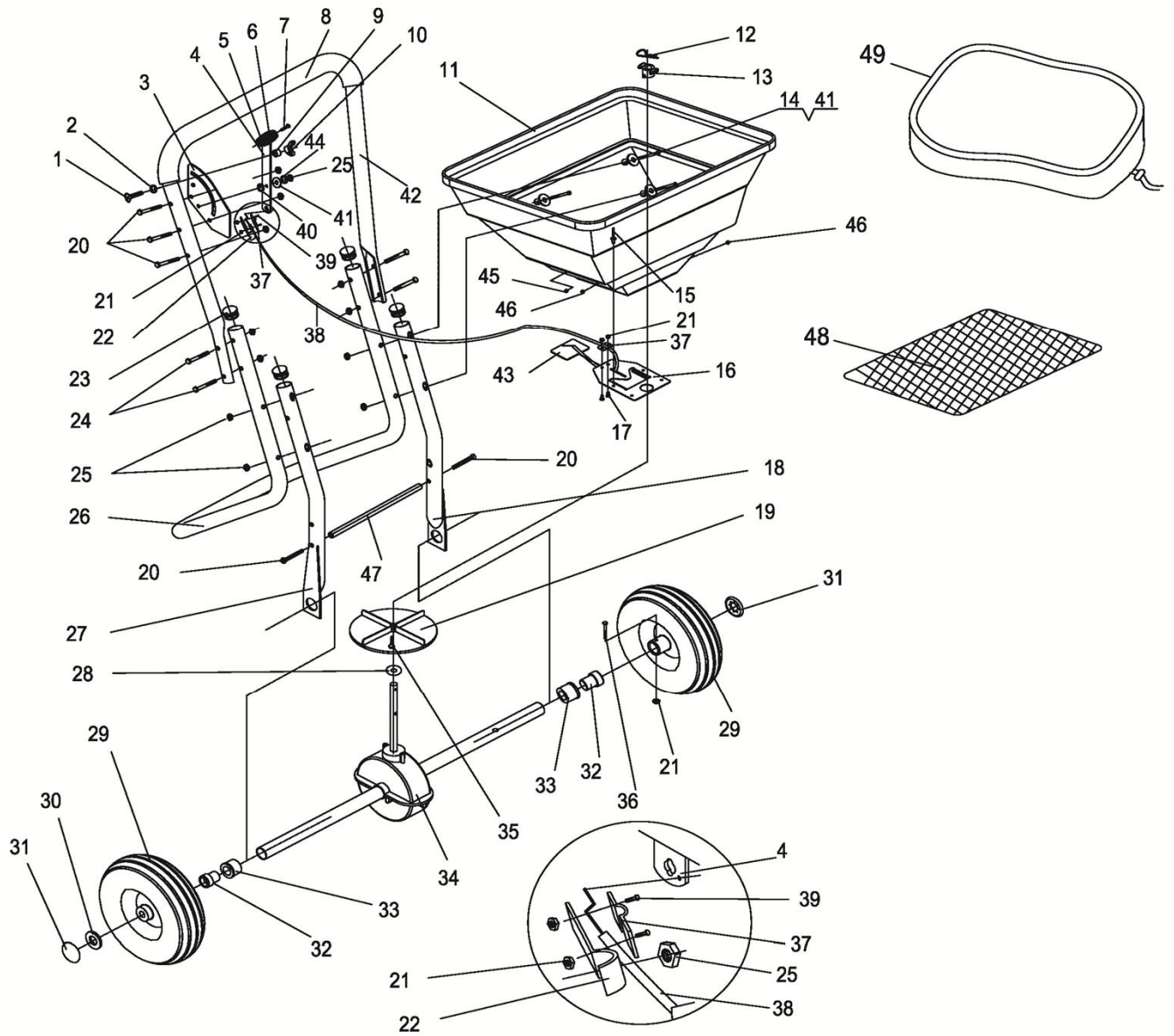


## VVC 80





# EXPLODED PARTS LIST

Year: 2017

Page(s): 2/2

## VWC 80

No	Code	Name	Qty	No	Code	Name	Qty
1		Carriage Bolt M6x25	1	49	046973	Rain Cover	1
2		External-tooth Washer Ø8	1				
3	046961	Gauge and Lever Assembly	1				
4	046962	Adjust Handle Pole	1				
5	046963	Adjust Handle A	1				
6	046964	Adjust Handle B	1				
7		Screw M4x18	1				
8		Handle Grip	1				
9		Spacer	1				
10		Wing Nut	1				
11	046965	Hopper	1				
12		R Pin Ø2x60	1				
13		Center Cover	1				
14		Hex Bolt M6x70	4				
15		Rivet Ø5X12	4				
16	046966	Fixed Adjustable Plate	1				
17		Screw M5x12	2				
18	046974	Wheel Assembly Frame(Left)	1				
19	046978	Impeller	1				
20		Hex Bolt M6x35	5				
21		Lock Nut M5	5				
22	046967	Line Clamp Bottom Plate	1				
23		Tube End Cap	4				
24		Hex Bolt M6x40	4				
25		Lock Nut M6	12				
26	046975	Support Leg	1				
27	046976	Wheel Assembly Frame(Right)	1				
28		Thin Washer	1				
29	046979	Pneumatic Wheel	2				
30		Flat Washer Ø16	1				
31		Axle End Cover	2				
32	046968	Inner Axle Bushing	2				
33	046969	Outer Axle Bushing	2				
34	046980	Gear Box & Axle Assembly	1				
35		Screw M4x20	1				
36		Hex Bolt M5x45	1				
37		Line Clamp Press Plate	2				
38	046970	Control Rod	1				
39		Screw M5x10	2				
40		Nylon Washer	1				
41		Big Flat Washer Ø6	5				
42	046977	Handle	1				
43	046971	Active Adjustable Plate	1				
44		Lock Washer Ø6	1				
45		Big End Cap	1				
46		Small End Cap	2				
47		Fixing Connection Rod	1				
48	046972	Hopper Screen	1				